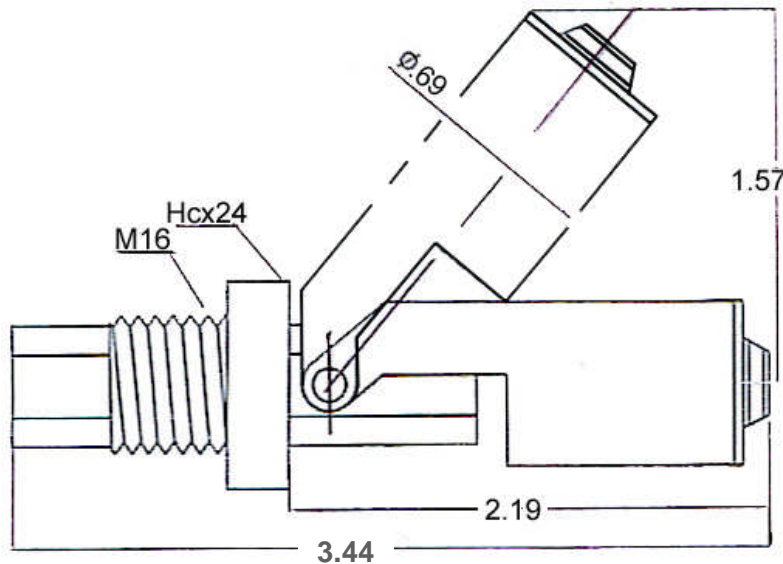




## FLT 231 Polypropylene Float Switch

- Versatile, economical and compact
- UL Listed internal reed switch
- Normally closed; can be inverted for normally open operation
- M16 stem threading – each switch comes with a nut and silicon o-ring
- Warranted against manufacturer defect for 90 days from delivery date



Unit: Inches

**Operation:** When the float drops to within .12" (+/- .04") of the horizontal position, the internal reed contacts draw together and complete a circuit. When the float rises .20" (+/- .04") from the horizontal position, the contacts separate and open the circuit.

### Materials:

Float:	Polypropylene
Stem:	Polypropylene
Nut:	Polypropylene
O-ring:	Silicon
Clip:	None
Leads:	1007 AWG22, 13", black

### Specifications:\*

Temperature:	-10 ~ +80°C
Contact rating:	50W
Max Switching Voltage:	100VDC
Min Breakdown Voltage:	150VDC
Max Switching Current:	0.5A
Max Contact Resistance:	100mΩ

\*Can be customized to your requirements